

159M-10/8-6/4

HAFNER

Push-On prechodka



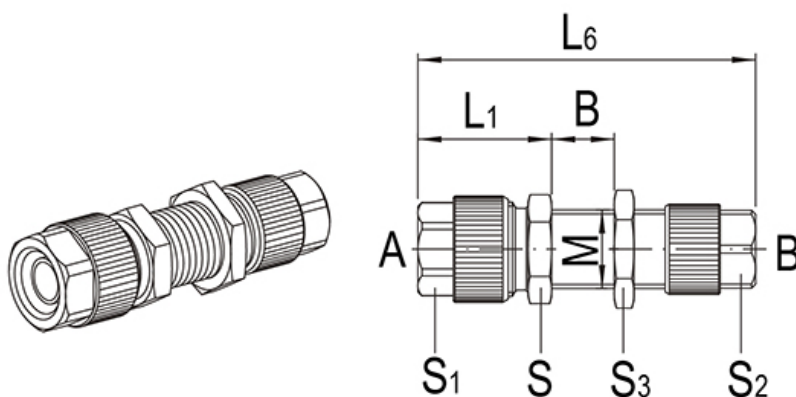
productDataPdf.propertiesHeader

Pracovné médium	Stlačený vzduch, tekutina
Pracovný tlak	0...25 bar
Menovitý tlak	0...25 bar
Materiál	Poniklovaná mosadz
Materiál tesnenia	Bez tesnenia
Teplotný rozsah	-40°C...+120°C
Prevedenie	Spojka (iba nástrčná)
Rozmer hadice A	Ø10/8
Rozmer hadice B	Ø6/4

159M-10/8-6/4



Push-On prechodka



Typ	Priemer hadice A	Priemer hadice B	M	B	L1	L6	S1	S2	S3	S
159M-4,3/3	4,3/3	4,3/3	M 7 x 0,75	1-10	14	35	7	7	10	8
159M-5/3-4,3/3	5/3	4,3/3	M 7 x 0,75	1-10	14	35	7	7	10	8
159M-5/3	5/3	5/3	M 7 x 0,75	1-10	14	35	7	7	10	8
159M-6/4-4,3/3	6/4	4,3/3	M 7 x 0,75	1-10	17	38	10	7	10	12
159M-6/4-5/3	6/4	5/3	M 7 x 0,75	1-10	17	38	10	7	10	12
159M-6/4	6/4	6/4	M 10 x 1	1-10	17	43	10	10	13	12
159M-8/6-6/4	8/6	6/4	M 10 x 1	1-10	17	43	12	10	13	12
159M-8/6	8/6	8/6	M 12 x 1	1-10	17,5	43,5	12	12	17	14
159M-10/8-6/4	10/8	6/4	M 10 x 1	1-10	19	45	13	10	13	14
159M-10/8-8/6	10/8	8/6	M 12 x 1	1-10	19	45	13	12	17	14
159M-10/8	10/8	10/8	M 14 x 1	1-10	19,5	47,5	13	13	17	17
159M-11,5/9	11,5/9	11,5/9	M 16 x 1	1-10	21	50	15	15	19	19
159M-12/9	12/9	12/9	M 16 x 1	1-10	21	50	15	15	19	19
159M-12/10	12/10	12/10	M 16 x 1	1-10	21	50	15	15	19	19
159M-15/12,5	15/12,5	15/12,5	M 20 x 1	1-10	24	55	19	19	24	22
159M-17,6/13	17,6/13	17,6/13	M 20 x 1	1-10	24	55	19	19	24	22