

151M-6/4-M5

HAFNER

Push-On závitová spojka Priamy tvar



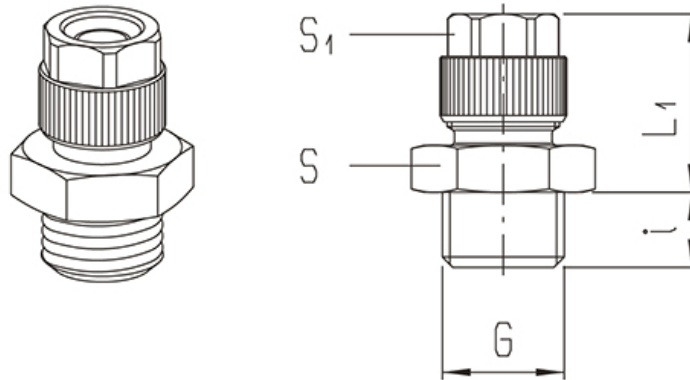
productDataPdf.propertiesHeader

Pracovné médium	Stlačený vzduch, tekutina
Pracovný tlak	0...25 bar
Prevedenie	Závitová
Menovitý tlak	0...25 bar
Materiál	Poniklovaná mosadz
Prípoj	M5
Materiál tesnenia	Bez tesnenia
Teplotný rozsah	-40°C...+120°C
Priemer hadice	Ø6/4
Dostupnosť	Na sklade

151M-6/4-M5

HAFNER

Push-On závitová spojka Priamy tvar



Typ	Priemer hadice	Prípoj G	L1	i	S1	S
151M-4,3/3-M5	4,3/3	M 5	14,5	4	7	8
151M-4,3/3-1/8	4,3/3	G 1/8"	15,5	6	7	13
151M-5/3-M5	5/3	M 5	14,5	4	7	8
151M-5/3-M6	5/3	M 6	14,5	5	7	8
151M-5/3-1/8	5/3	G 1/8"	15,5	6	7	13
151M-6/4-M5	6/4	M 5	15,5	4	8	8
151M-6/4-M6	6/4	M 6	15,5	5	8	8
151M-6/4-1/8	6/4	G 1/8"	18,5	6	10	13
151M-6/4-1/4	6/4	G 1/4"	19	8	10	17
151M-6/4-3/8	6/4	G 3/8"	19	9	10	19
151M-6/4-1/2	6/4	G 1/2"	19,5	10	10	24
151M-8/6-1/8	8/6	G 1/8"	18,5	6	12	13
151M-8/6-1/4	8/6	G 1/4"	19	8	12	17
151M-8/6-3/8	8/6	G 3/8"	19	9	12	19
151M-8/6-1/2	8/6	G 1/2"	19,5	10	12	24
151M-10/8-1/8	10/8	G 1/8"	20	6	13	14
151M-10/8-1/4	10/8	G 1/4"	20,5	8	13	17
151M-10/8-3/8	10/8	G 3/8"	20,5	9	13	19
151M-10/8-1/2	10/8	G 1/2"	21	10	13	24
151M-11,5/9-1/4	11,5/9	G 1/4"	22	8	15	17
151M-11,5/9-3/8	11,5/9	G 3/8"	22	9	15	19
151M-12/9-1/4	12/9	G 1/4"	22	8	15	17
151M-12/9-3/8	12/9	G 3/8"	22	9	15	19
151M-12/10-3/8	12/10	G 3/8"	22	9	15	19
151M-12/10-1/2	12/10	G 1/2"	22,5	10	15	24
151M-15/12,5-1/2	15/12,5	G 1/2"	25	10	19	24
151M-17,6/13-1/2	17,6/13	G 1/2"	25	10	22	24